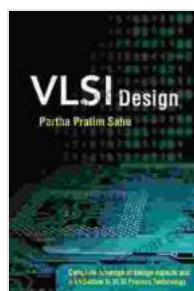


Unlock the World of VLSI Design with the Essential Guide

Embark on a transformative journey into the realm of Very Large Scale Integrated (VLSI) Design with the groundbreaking textbook "VLSI Design 1e." This comprehensive guide empowers you with the knowledge and skills necessary to master this cutting-edge field, shaping the future of technology.

Unveiling the Intricacies of VLSI Design

VLSI Design 1e unveils the complexities of this captivating discipline, providing a holistic understanding of the design, fabrication, and testing of integrated circuits. From the fundamental principles to advanced techniques, the book explores every aspect of VLSI design with unparalleled clarity and depth.



VLSI Design, 1e

★★★★★ 5 out of 5

Language : English
File size : 14379 KB
Text-to-Speech : Enabled
Screen Reader : Supported
Enhanced typesetting : Enabled
Print length : 803 pages



In addition to the core concepts, you will delve into a myriad of real-world applications, gaining invaluable insights into how VLSI design shapes

diverse industries, including:

- **Computing:** High-performance processors, memory chips, and graphics cards
- **Telecommunications:** Wireless communication systems, modems, and antennas
- **Automotive:** Advanced driver-assistance systems, navigation devices, and sensor networks

A Comprehensive Tapestry of Knowledge

VLSI Design 1e weaves together a tapestry of knowledge, covering a wide spectrum of topics, such as:

- **CMOS Technology:** The foundation of VLSI design, exploring its physics, fabrication, and modeling
- **Circuit Design:** Techniques for designing and analyzing digital and analog circuits
- **Layout Design:** The art of creating physical representations of circuits on semiconductor wafers
- **Verification and Testing:** Ensuring the correctness and functionality of VLSI designs
- **CAD Tools:** Essential software for efficient VLSI design and verification

Expertly Crafted for Excellence

Penned by renowned VLSI design authorities, VLSI Design 1e is meticulously crafted to provide a seamless learning experience. Its engaging writing style, clear explanations, and abundant illustrations foster a deep understanding of the subject matter.

Moreover, the book incorporates numerous design examples, case studies, and end-of-chapter exercises to reinforce your comprehension and practical skills.

Whether you are a seasoned designer, an aspiring engineer, or a technology enthusiast, VLSI Design 1e is the indispensable guide that will propel you to the forefront of this transformative field.

Harness the Power of VLSI Design

Unlock a world of opportunities with VLSI Design 1e. Embrace the challenges of designing and implementing complex integrated circuits, driving innovation and shaping the future of technology. Free Download your copy today and embark on an extraordinary journey into the captivating realm of VLSI design.

Free Download VLSI Design 1e and Revolutionize Your Career

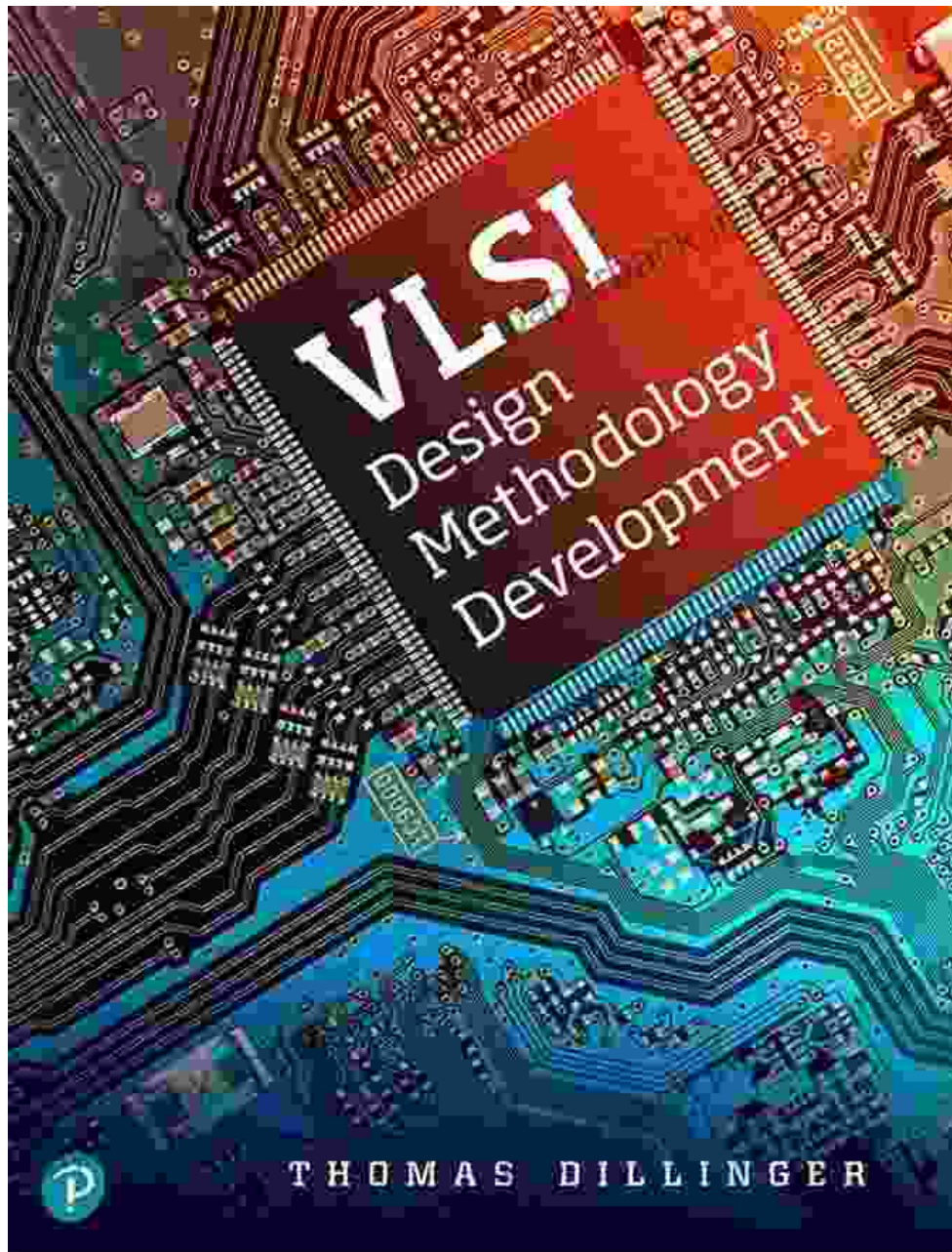
Key Features

- Comprehensive coverage of VLSI design principles and applications
- In-depth explanations of CMOS technology, circuit design, layout design, verification, and testing
- Abundant design examples, case studies, and end-of-chapter exercises

- Written by renowned VLSI design authorities
- Ideal for students, practicing engineers, and technology enthusiasts

Unlock the World of VLSI Design Today

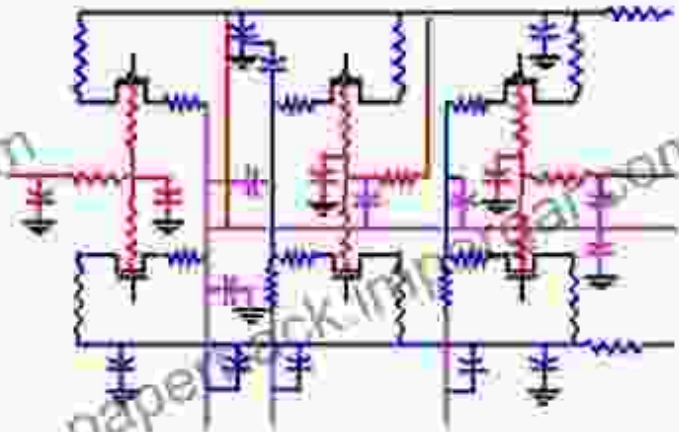
Image Gallery





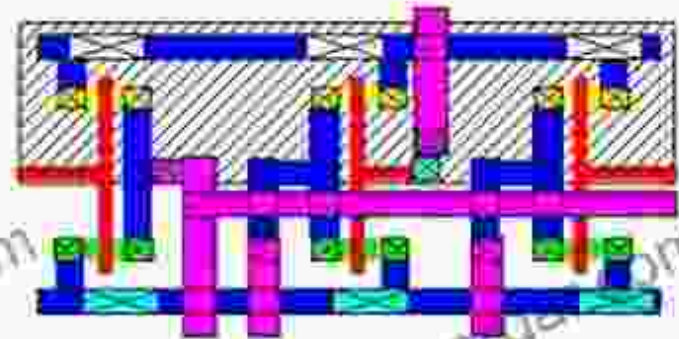
Circuit Design

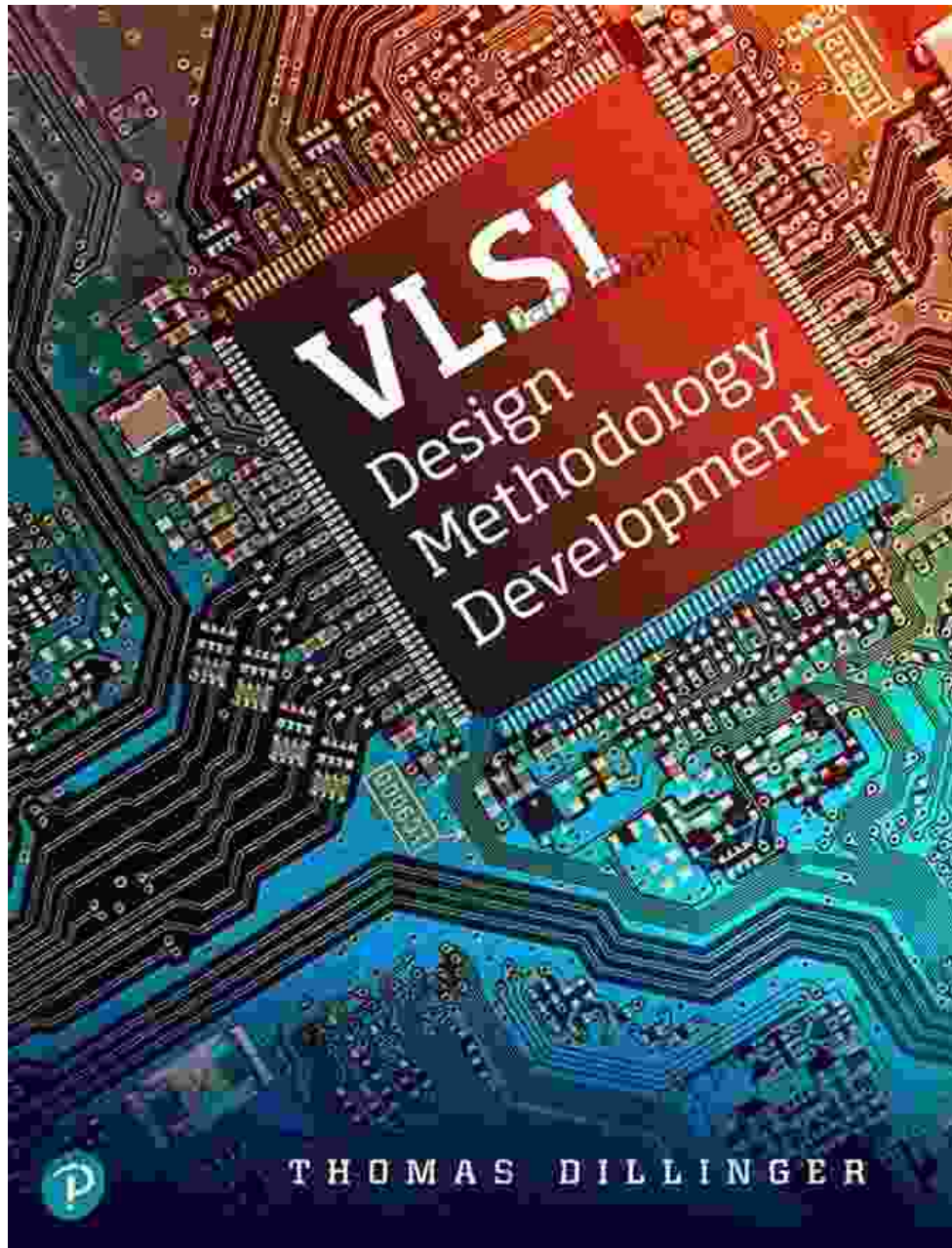
Timing Simulation



Physical Design

Design Rule Checking





VLSI Design, 1e

★★★★★ 5 out of 5

Language : English

File size : 14379 KB

Text-to-Speech : Enabled

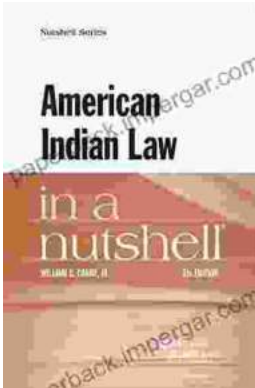
Screen Reader : Supported

Enhanced typesetting : Enabled

Print length : 803 pages

FREE

DOWNLOAD E-BOOK



Unlock the Complexities of American Indian Law with "American Indian Law in a Nutshell"

Welcome to the fascinating world of American Indian law, a complex and dynamic field that governs the relationship between Indigenous peoples, their...



Master Street Photography: The Ultimate Beginner's Guide

Are you ready to embark on an exciting journey into the world of street photography? Whether you're a complete novice or an aspiring enthusiast,...